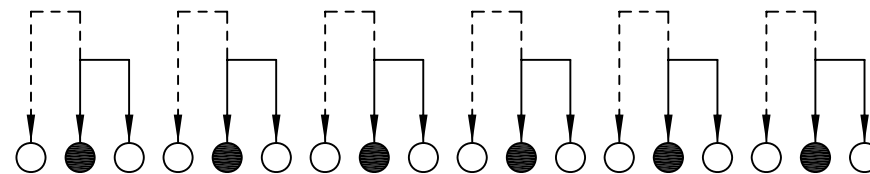
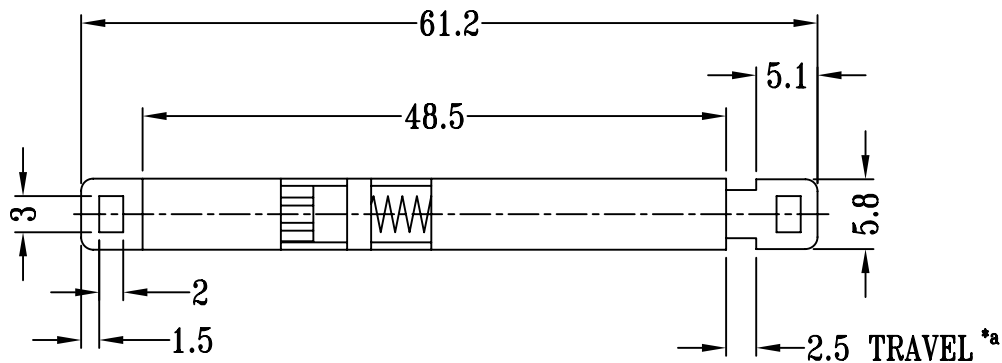
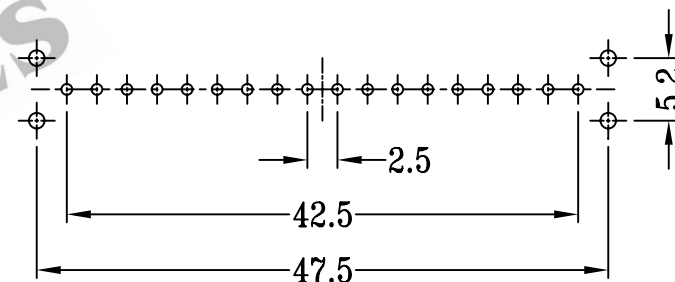
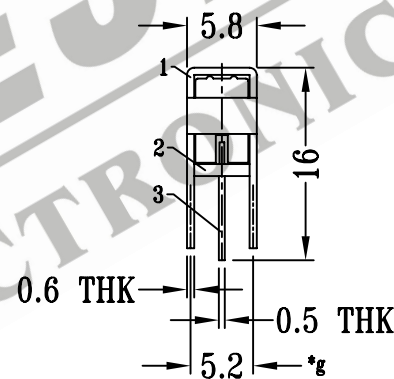
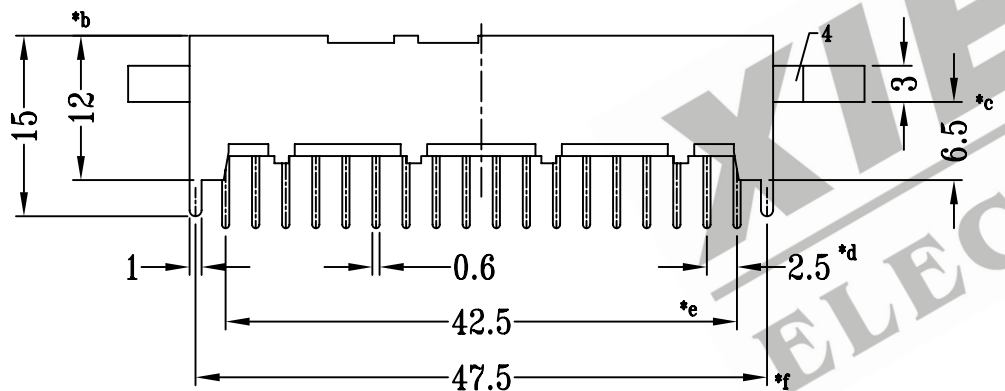


CAD FILE:



SCHEMATIC (SHORTING)



P.C.B LAYOUT

注:带"\*"表示关键尺寸(7个)

8					TOLERANCE	SHENZHEN XIEJIA ELECTRONICS CO.,LTD.				
7					UNLESS SPECIFIED					
6	SPRING	STEEL WIRE	1	TEMPER	WITHIN: 1.5±0.1mm	ISSUE	DATE	DESCRIPTIONS		APPD.
5	CONTACT CLIP	PBS	6	Ag CLAD	OVER : 1.5±0.2mm					
4	KNOB	PC/ABS	1	BLACK	TITLE : PUSH SWITCH	UNIT : MM		DRWG NO.: XJ-DR-PS62E03-00		
3	TERMINAL	BRASS STRIP	18	Ag PLATED OVER Ni PLATED	MODEL: PS-62E03	SCALE: 3:2		DWN.	ZHOUYU	2005-8-21
2	BASE	PHENOLIC RESIN	1	NATURAL	ALL MATERIALS MUST BE COMPLIANT TO ROHS			CHK'D	FANGYING	2005-8-21
1	FRAME	STEEL STRIP	1	Ni PLATED				APPD.	KANGXINAN	2005-8-21
NO.	PART NAME	MATERIAL	Q'TY	FINISHING						